

HPPS Series

TIER 1
BloombergNEF

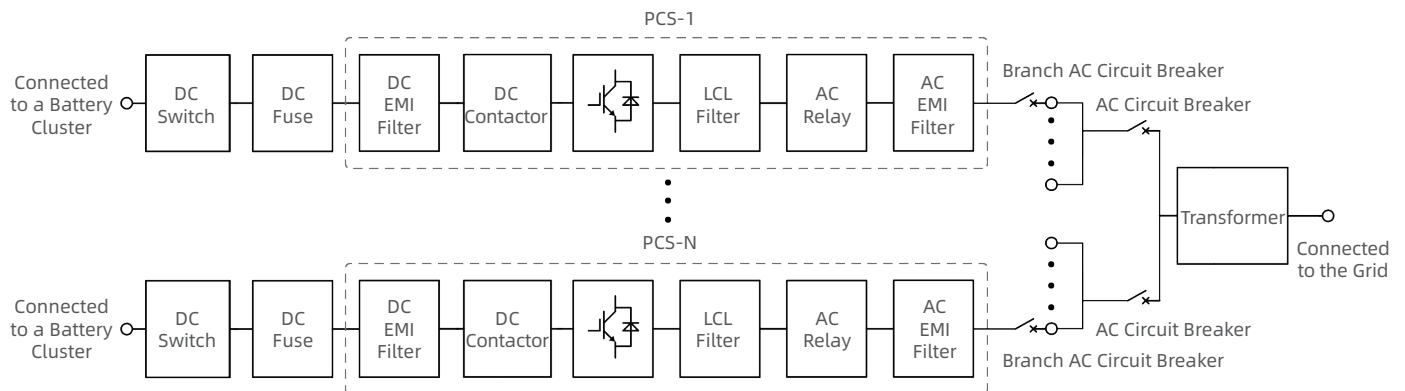
Hopewind is ranked as
Tier 1 Solar Inverter Maker by BNEF



FEATURES

- Single cluster management for batteries to address the issue of circulating current in parallel connections
- Modular design to prevent single point of failure
- Use of the three-level technology to achieve a maximum efficiency of 99%
- Strong environmental adaptability with C3~C5 corrosion protection available, and no derating at 45°C ambient temperature
- Optional number of PCS modules at 6~35kV with all-in-one machine customizable
- Multiple operation modes supported such as PQ and VSG

TOPOLOGICAL GRAPH



PARAMETERS

Model		HPPS 2500B	HPPS 1750C	HPPS 2500C	HPPS 3500C
DC Parameters	Number of DC Input Channels	12	1	1	2
	Max. DC Current	209 A*12	1962 A	2810 A	3934 A
	DC Voltage Operating Range	1000 V~1500 V			
AC Parameters	Total Rated Power	2500 kW	1750 kW	2500 kW	3500 kW
	Max. Output Power	2750 kVA	1925 kVA	2750 kVA	3850 kVA
	Rated Voltage	690 Vac			
	Isolation Mode	Transformer Isolation			
	Q Range	0~2625 kvar	0~1837 kvar	0~2625 kvar	0~3675 kVar
On-grid Mode	Rated Grid Voltage	6~35 kV (Customizable)			
	Rated Grid Frequency	50 Hz / 60 Hz			
	THD	<3%			
	Power Factor	-1~1			
Transformer Parameters	Rated Capacity	2500 kVA	1750 kVA	2500 kVA	3500 kVA
	Transformer Type	Oil-immersed Transformer			
	LV/MV Voltage	0.69 / (6~35) kV			
System Parameters	Dimensions (W × H × D)	6058 × 2438 × 2896 mm			
	Operation Temperature	-40°C~+60°C (Derating above 45°C)			
	Operation Humidity	0~100%			
	Operating Altitude	≤5000 m (No derating within 3000 m)			
	IP Rating	IP54 (PCS IP66)			
	BMS Communication	RS485 / CAN			
	EMS Communication	Ethernet Interface			
	Communication Protocol	Modbus RTU / Modbus TCP / IEC104 / IEC61850			
	Standard Compliance	GB/T 34120, IEC62477, IEC61000, EN50549			
Grid Support	CEPRI HLVRT, Frequency adjustment function, Voltage adjustment function, Inertia response, Etc.				

*Please refer to the latest physical product for any changes in specifications.

*The table only lists some models. Products can be customized for projects.

